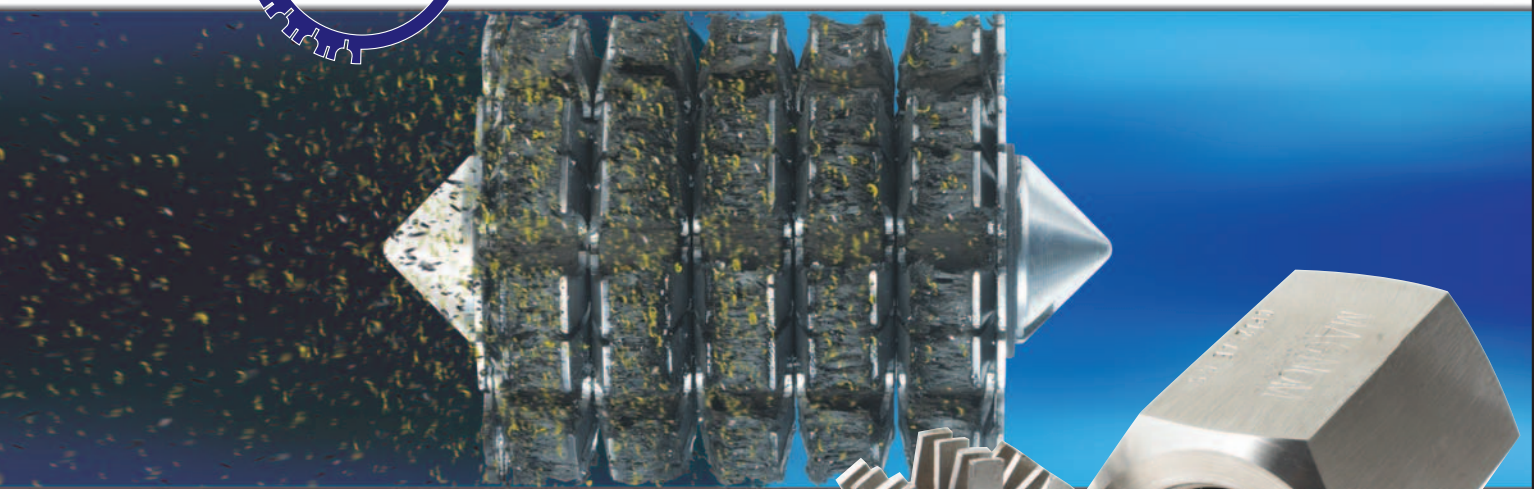
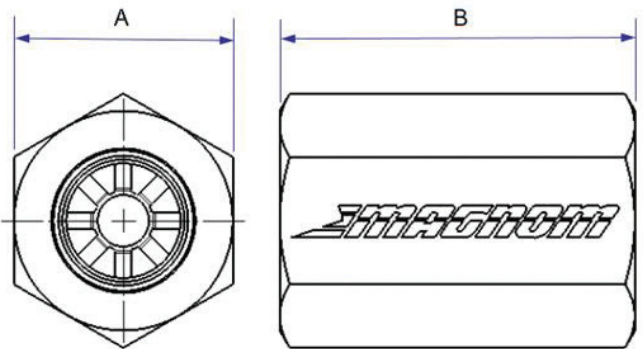


MAGNOM : Stop the Chain Reaction of Wear



MOUNTING METHOD	INLINE
FLOW DIRECTION	BI-DIRECTIONAL
CONSTRUCTION MATERIALS	Housing: Stainless Steel or Aluminum Alloy Mandrel: Aluminum Alloy Flux Plate: Mild Steel Magnet: Samarium Cobalt (SmCo)
FLUID COMPATIBILITY	Compatible with a wide range of hydraulic and lubricating fluids, petroleum oils, synthetic fluids, compressed gas, air etc.
MAX. OPERATING TEMPERATURE	302° F (150° C)
PORT SIZE	SAE-12



UNIT WEIGHT & DIMENSIONAL INFORMATION					HOUSING PRESSURE AND TEMPERATURE RATING		
PART NUMBER	UNIT	UNIT WEIGHT	(A)	(B)	MATERIAL	BURST PRESSURE	MAX. OPERATING PRESSURE
556201300	CP-12	16oz (454gr)	1 3/4" (44.5mm)	2 7/8" (72mm)	Aluminum	16,000 psig (1103 barg)	3000 psig (207 barg)
556301300	CP-12	24oz (681gr)	1 3/4" (44.5mm)	2 7/8" (72mm)	Stainless Steel	24,000 psig (1655 barg)	6000 psig (414 barg)